

Power-Over-Ethernet (POE) 76394

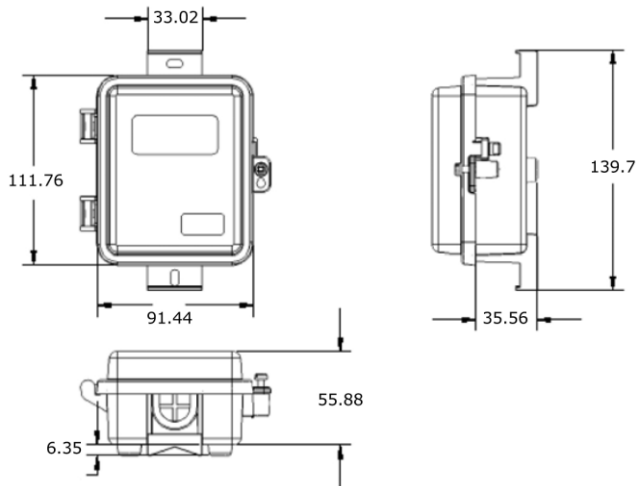
The 76394 is an outdoor PoE surge protector designed to protect sensitive data-processing equipment connected to a PoE (Power over Ethernet) network from transient over voltages.

The 76394 surge protector is deployed in signal network applications with data transmission speeds upto 1000 Mbps and is equipped with high quality shielded RJ45 connectors. The transient protection circuit is based on high energy gas discharge tubes (GDT) and a network of fast response Silicon Avalanche Diodes (SAD's) to achieve sharp clamping of very large surge events.

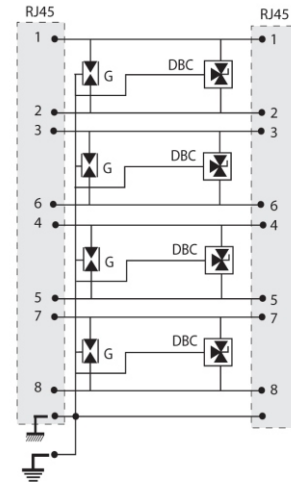
- Surge protection for PoE & Gigabit
- Ethernet networks
- 100BaseT/1000BaseT compatible
- Shielded RJ45 connectors
- Discharge capability of 2kA
- Rated IP65 for outdoor use



Dimensions (mm)



Electrical Diagram



G : 3-electrode gas tube
DBC: 3-pole very low-capacitance diode

Characteristics

Part number	76394
Application	PoE and Gigabit Ethernet Networks
Max. data rate	1000 Mbps - CAT 5E
Standard Compliance	IEEE 802.3af (transmission) IEC 61000-4-5 (surge withstand)
Connections :	
- input	Shielded RJ45
- output	Shielded RJ45
Pinout	8 wires + shield
Max Operating voltage	60 Vdc on all pairs
Max Dc Power Supply	60 Vdc - 650 mA
Nominal discharge currents :	
-Line/Line	< 10 A @ 8/20 μ s
-Line/Ground	2000 A @ 8/20 μ s
Response time Line/Line	< 5 ns
Response time Line/Ground	< 100 ns
PCB part #	CMJ8-POE-A/PCB
Connection to bonding network	Screw terminal